



Protected under US Patent 7,056,360 (others pending)

ODORIZATION Formula for Safety

$$\begin{array}{c} \text{Small} \\ \text{Dose Size} \end{array} + \begin{array}{c} \text{High} \\ \text{Frequency} \end{array} = \begin{array}{c} \text{High Turn} \\ \text{Down} \end{array}$$

The Z9000 is centered around the task of odorizing natural gas, simply and accurately for low volume applications. It is a feature rich, precision odorization package that avoids the normal complexity associated with other odorizers.

Simple Advantages

- **Two moving parts** exposed to odorant
 - Metering valve
 - Isolation valve
- **Comfort**
 - You see the drop as it falls and is counted
 - You control the process
- **Friendly neighbors**
 - No exhaust gas
 - No smell
 - No noise
- **Technology Advantage**
 - 24/7 Customer Service
 - "Virtual+" for modem customers
 - Is never outdated



(See the simplicity on the back)

Simple Solutions

- **Capacity at .5#/mm**
 - Low: Zero
 - High: 1,500 mscfh
- **Small dose size and high frequency**
 - No seasonal adjustments
 - No large dead-times between doses
 - Accurate odorization at all flow rates

P.O. Box 100
SNYDER, TX 79550
T 325-573-8578
F 325-573-9078
www.zecksystems.com
www.sentry-equip.com



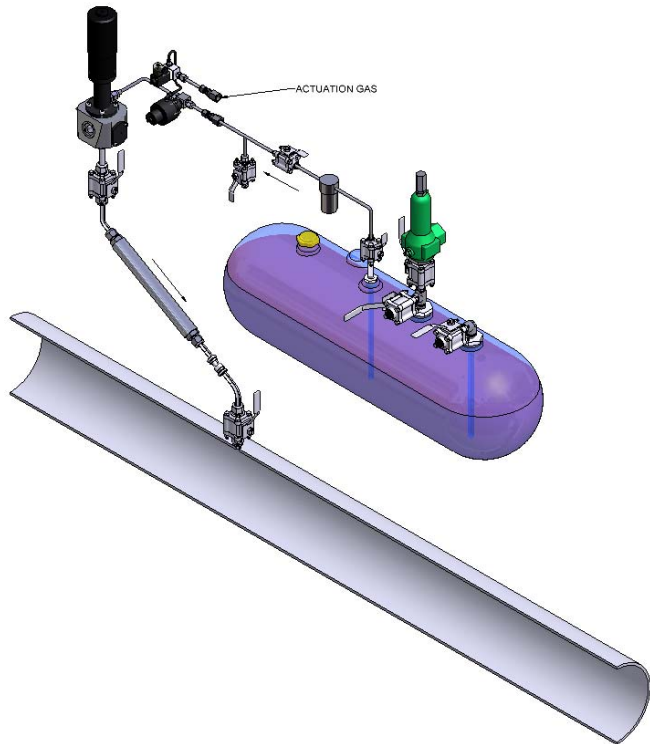
Zeck Systems™
A Division of Sentry Equipment Corp
ODORANT INJECTION TECHNOLOGY
Simple—Accurate—Better



Protected under US Patent 7,056,360 (others pending)

ODORIZATION

Simple & Reliable



Browser Interface



Servo Assembly & Drip Chamber

1. **Storage & Isolation**—Odorant is pushed from the storage vessel to the spring closed isolation valve.
2. **Metering**—When the isolation valve is opened, odorant flows to the metering valve. The encapsulated servo opens the metering valve to achieve the desired injection rate.
3. **Measurement**—The optical array (not exposed to odorant) accounts for every drop as it falls into your gas stream.
4. **Process Control**—The controller accurately controls the process and reports the results. Alarm conditions are reported and provide the assurance and comfort mandated by the gas industry.
5. **HMI**—Everything can be monitored and controlled locally or remotely with displays and screens that are easy to understand.

P.O. Box 100
 SNYDER, TX 79550
 T 325-573-8578
 F 325-573-9078
www.zecksystems.com
www.sentry-equip.com



Zeck Systems™
 A Division of Sentry Equipment Corp
 ODORANT INJECTION TECHNOLOGY
Simple—Accurate—Better