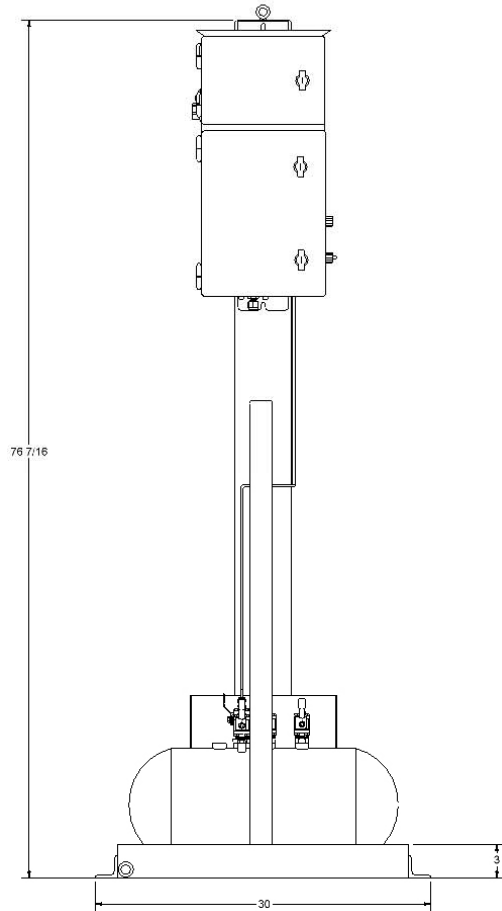
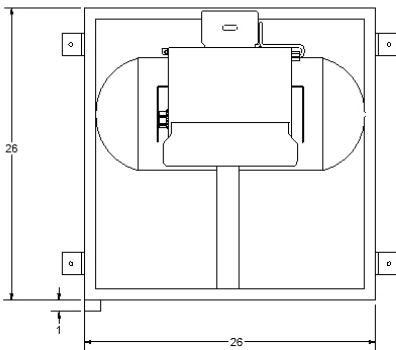
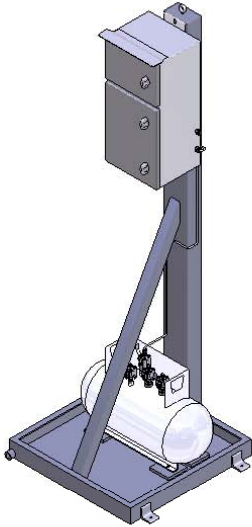


Section 5

Vessels and Packages

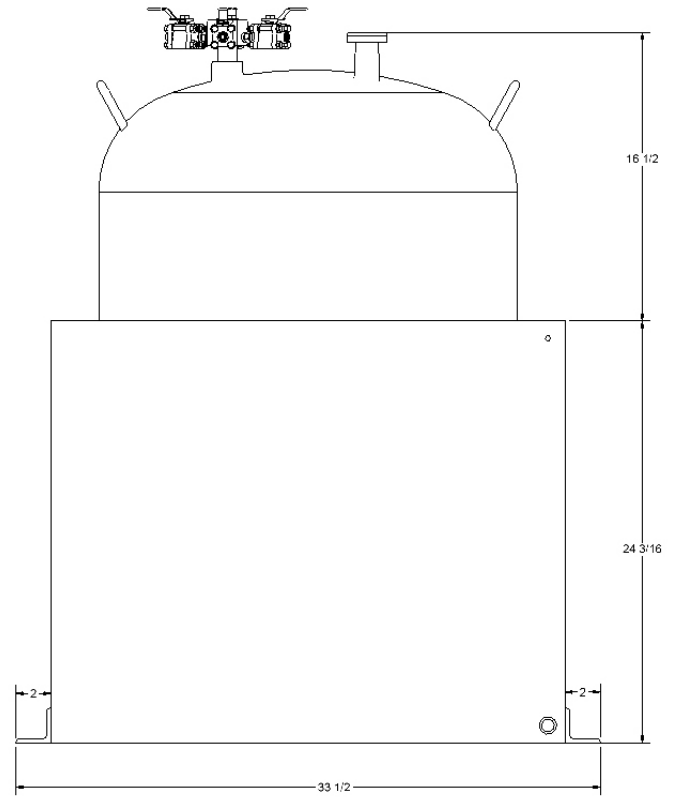
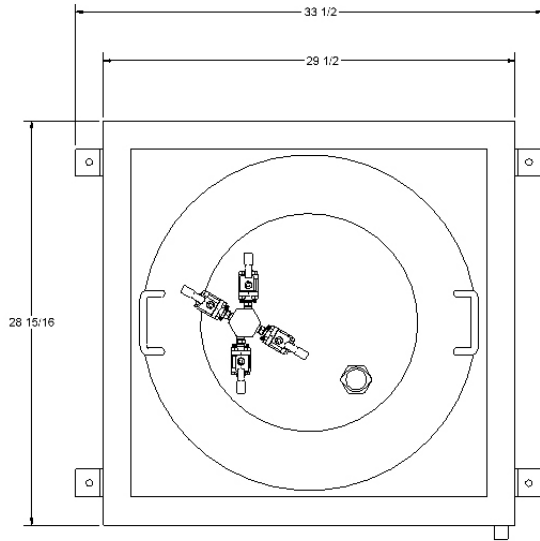
Containment: 7 gallon supplementary skid



PORTABLE MOUNTED CONTAINMENT	PART NUMBER : ENC-0034 PORTABLE MOUNTED CONTAINMENT DATE : 08/15/06 REVISION : 0	ZECK SYSTEMS
------------------------------	---	--------------

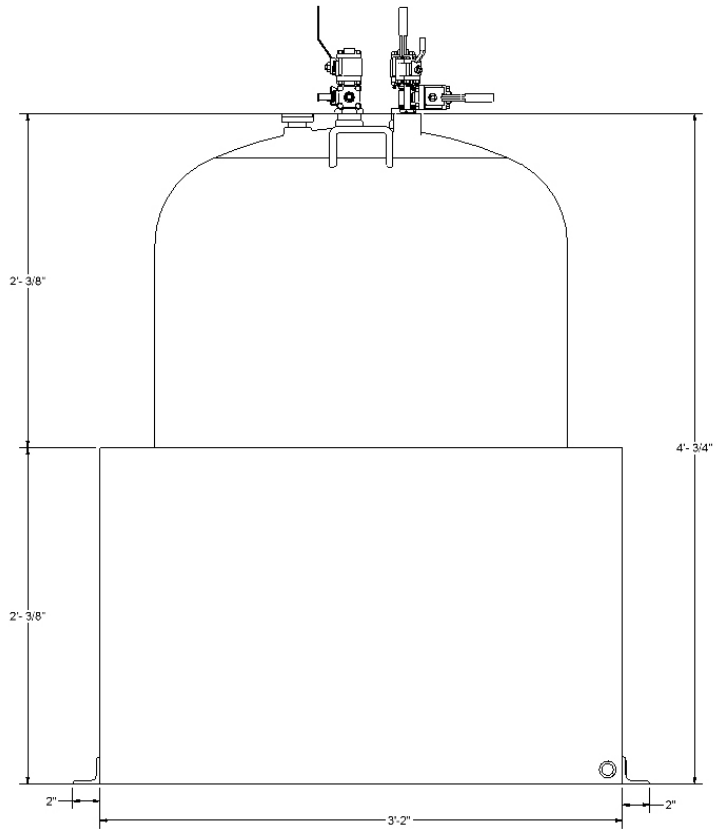
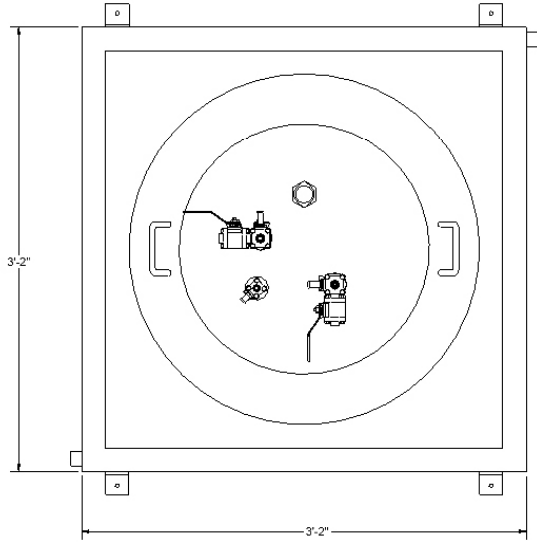
Containment: 60 gallon vertical

Parts List			
ITEM	QTY	PART NUMBER	DESCRIPTION
1	1	VAPOR FILL	1/4" BALL VALVE (SS-62TF4)
2	1	LIQUID FILL	1/4" BALL VALVE (SS-62TF4)
3	1	BLANKET	1/4" BALL VALVE (SS-62TF4)
4	1	ODORIZER SUPPLY	1/4" BALL VALVE (SS-62TF4)

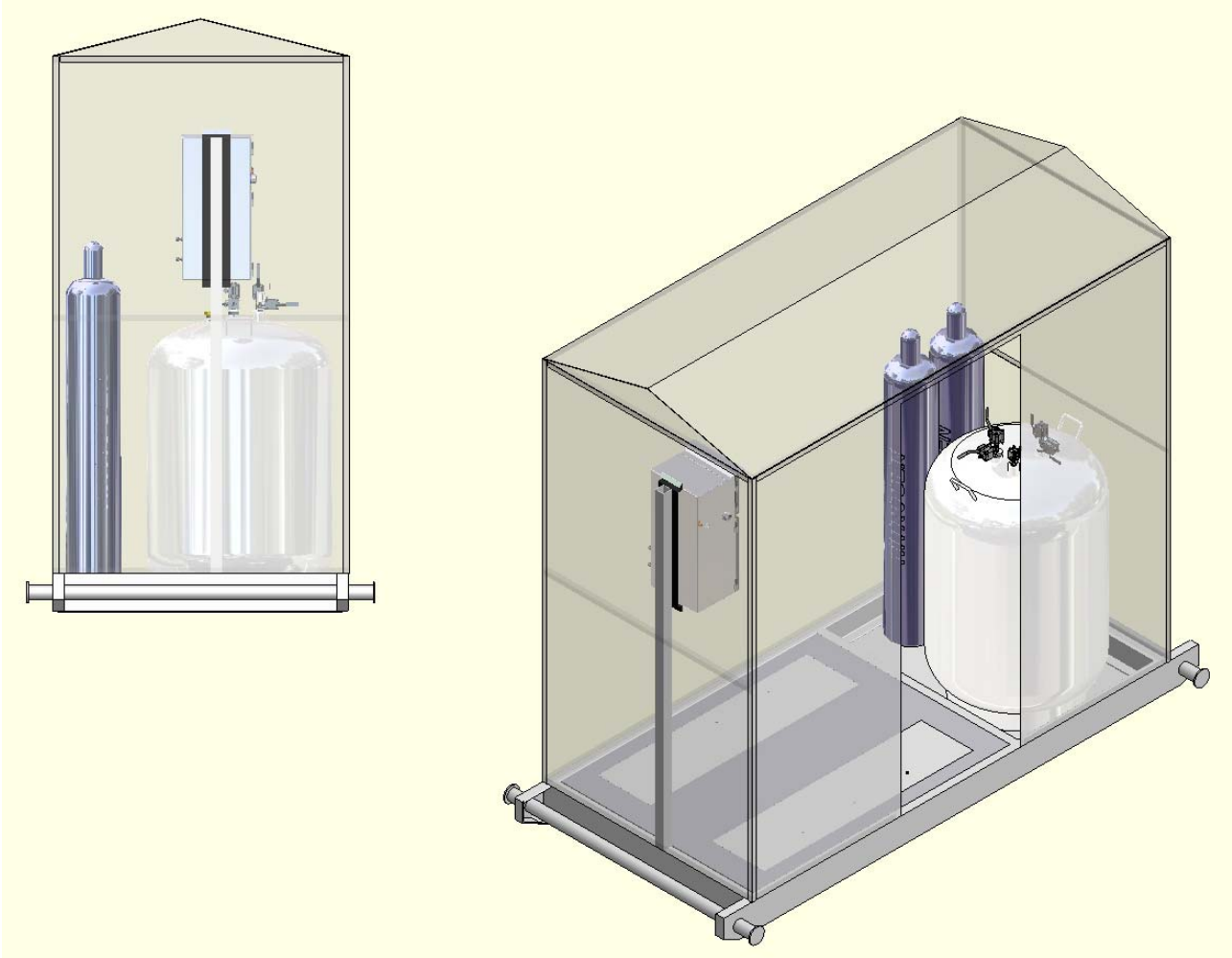
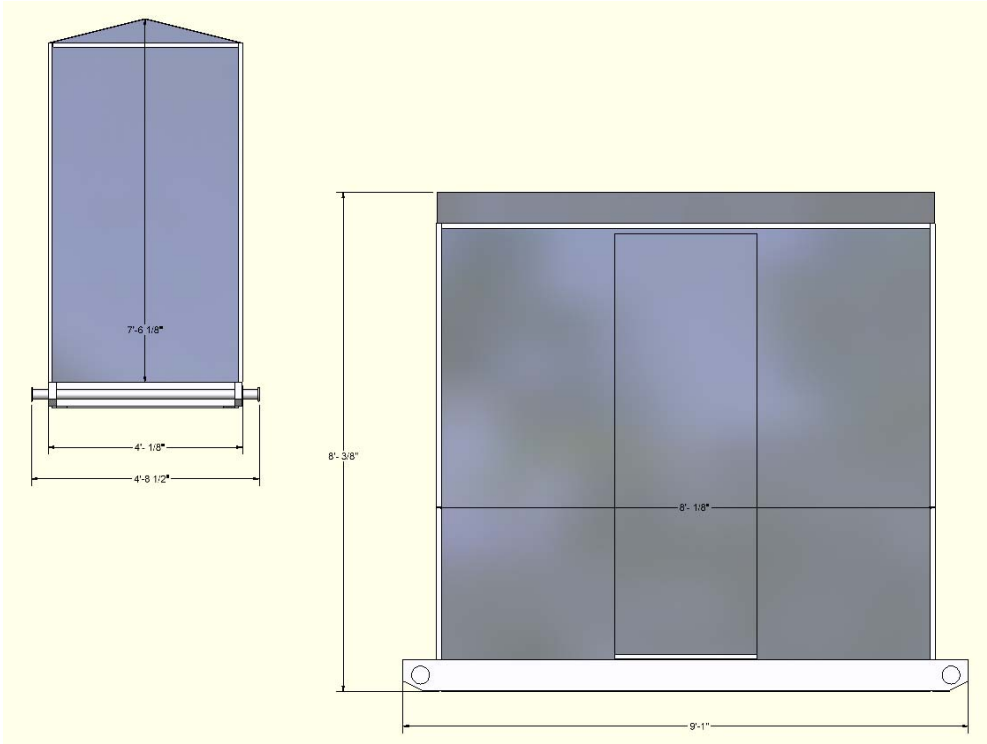


Containment: 120 gallon vertical

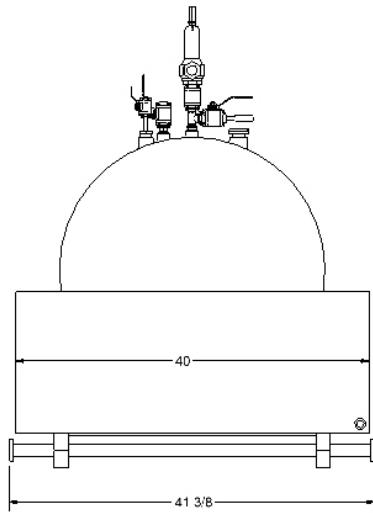
Parts List			
ITEM	QTY	PART NUMBER	DESCRIPTION
1	1	VAPOR FILL	1/2" BALL VALVE (SS-63TF8)
2	1	LIQUID FILL	1/2" BALL VALVE (SS-63TF8)
3	1	RELIEF	1/4" BALL VALVE (SS-62TF4)
4	1	BLANKET	1/2" BALL VALVE (SS-63TF8)
5	1	ODORIZER SUPPLY	1/2" BALL VALVE (SS-63TF8)



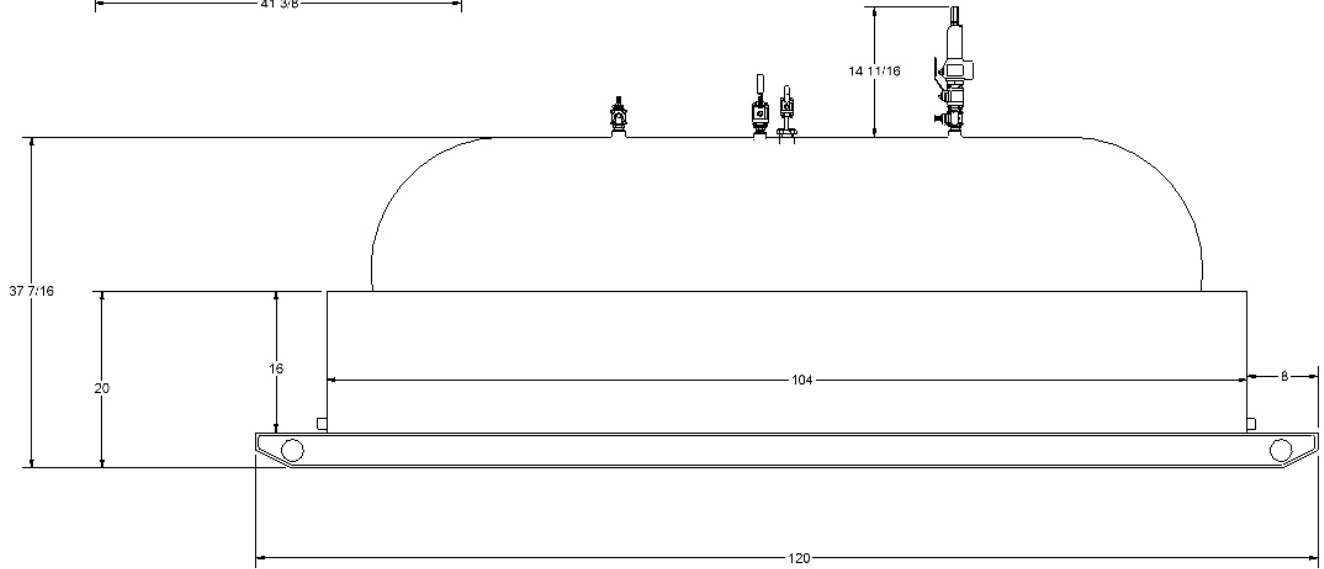
Containment: 60 or 120 building package



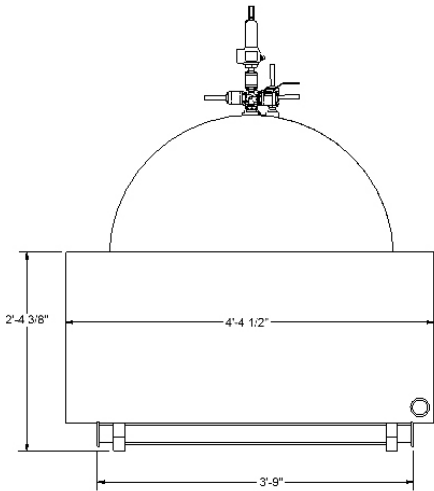
Containment: 250 gallon horizontal



Parts List			
ITEM	QTY	PART NUMBER	DESCRIPTION
1	1	VAPOR FILL	1/2" BALL VALVE (SS-63TF8)
2	1	LIQUID FILL	1/2" BALL VALVE (SS-63TF8)
3	1	RELIEF	1/2" BALL VALVE (SS-63TF8)
4	1	BLANKET	1/4" BALL VALVE (SS-62TF4)
5	1	ODORIZER SUPPLY	1/2" BALL VALVE (SS-63TF8)



Containment: 1000 gallon horizontal



Parts List			
ITEM	QTY	PART NUMBER	DESCRIPTION
1	1	VAPOR FILL	1/2" BALL VALVE (SS-63TF8)
2	1	LIQUID FILL	1/2" BALL VALVE (SS-63TF8)
3	1	RELIEF	1/2" BALL VALVE (SS-63TF8) WITH LOCKABLE HANDLE
4	1	BLANKET	1/4" BALL VALVE (SS-62TF4)
5	1	ODORIZER SUPPLY	1/2" BALL VALVE (SS-63TF8)

